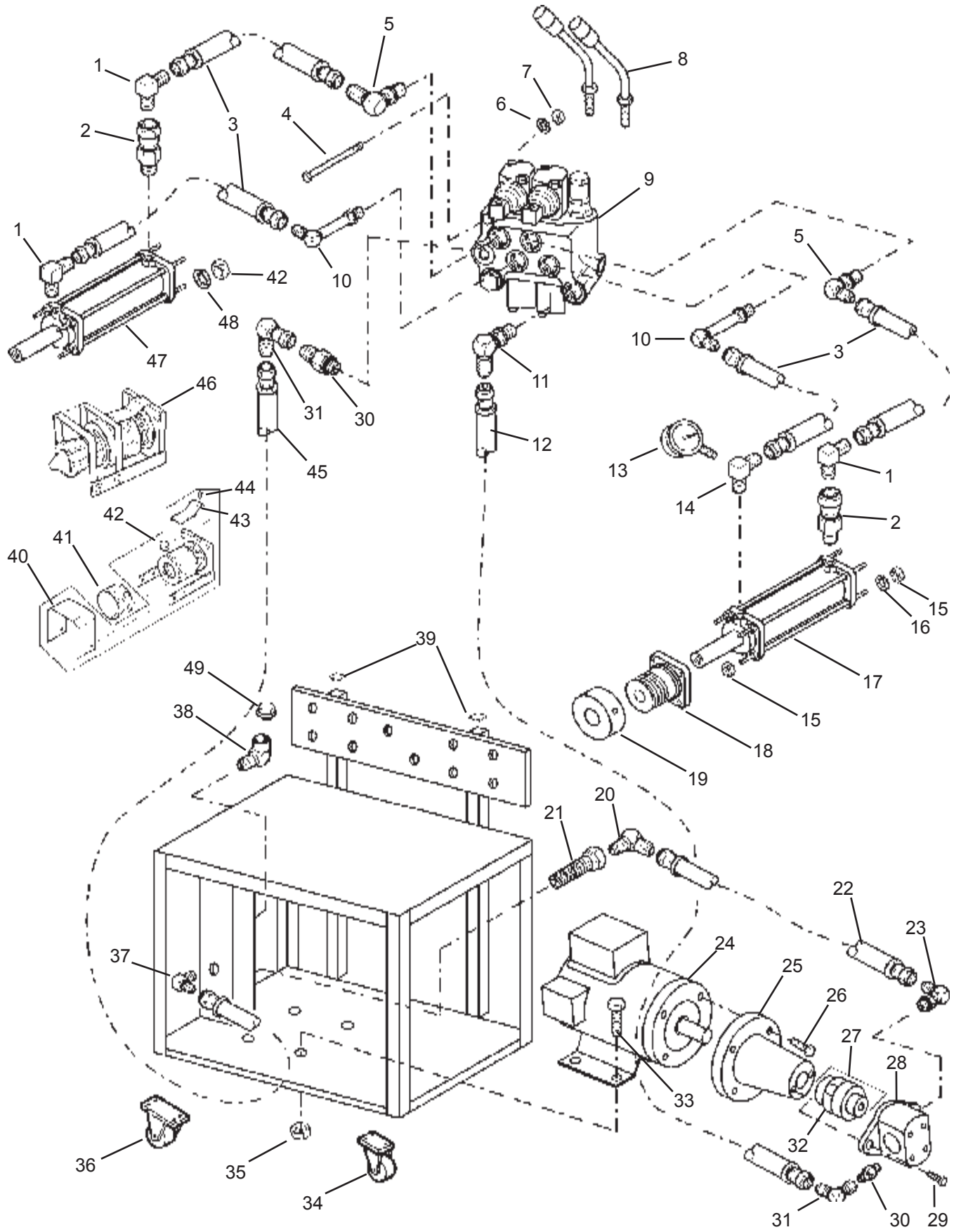


Section VI

Frame And Hydraulic Components - 1674



Frame And Hydraulic Components - 1674

| REF. | PART NO. | DESCRIPTION | QUANTITY |
|------|----------|--|----------|
| 1 | 92009 | 90 Ftg, 1/2ML NPT x 3/8ML JIC | 3 |
| 2 | 92079 | Fitting, Straight Swivel | 2 |
| 3 | 92263 | Hose, 3/8" Double Braid 5000 psi. 19" Long | 4 |
| 4 | 97294 | Hex Bolt, 5/16"-18x2-1/2" | 2 |
| 5 | 92071 | Fitting, Elbow, 90 Degree O-Ring | 2 |
| 6 | 97296 | Lockwasher, 5/16" | 2 |
| 7 | 97295 | Jam Nut, 5/16"-18 | 2 |
| 8 | 92109 | Handle, Swage Valve | 2 |
| 9 | 92112 | Swage Valve, 2 Section with Handles | 1 |
| 10 | 92065 | Fitting, Elbow, 90 Degree O-Ring (long) | 2 |
| 11 | 92004 | Str. Ftg., 1/2" ML NPT x 3/8" ML JIC | 1 |
| 12 | 92273 | Hose, 3/8" Double Braid 5000 psi. 41" Long | 1 |
| 13 | 92100 | Pressure Gauge | 1 |
| 14 | 92009DT | 90 Ftg, 1/2ML NPT x 3/8ML JIC, DT | 1 |
| 15 | 97292 | Jam Nut, 3/4" | 6 |
| 16 | 97293 | Lockwasher, 3/4" | 4 |
| 17 | 92389 | Cylinder 5" | 1 |
| 18 | 527 | Adjustable Collar, 2-7/8" I.D. - 6" I.D. | 1 |
| 19 | 528 | Adjustable Collar Extension (for 527) | 1 |
| 20 | 92010 | 90 Ftg, 1/2ML NPT x 3/8ML JIC | 1 |
| 21 | 92045 | Filter, Easy Flow | 1 |
| 22 | 92246 | Hose, 1/2" Suction 29" Long | 1 |
| 23 | 92078 | Fitting, Elbow, 90 Degree O-Ring | 1 |
| 24 | 95019 | Motor, 5 H.P., 60 Hz, Single-phase | 1 |
| | 95020 | Motor, 5 H.P., 60 Hz, 3-phase | 1 |
| 25 | 95021 | Mount, Motor-Pump | 1 |
| 26 | 97400 | Hex Bolt, 1/2"-13 x 3/4" | 4 |
| 27 | 92356 | Coupler, with Spyder | 1 |
| 28 | 92114 | Pump | 1 |
| 29 | 97267 | Hex Bolt, 3/8"-16 x 1 | 2 |
| 30 | 92006 | Str, 3/8ML JIC x 1/2ML SAE O'R | 2 |
| 31 | 92021 | 90 Elb, 3/8ML JIC x 3/8FM JIC SVL | 2 |
| 32 | 92358 | Spyder | 1 |
| 33 | 97267 | Hex Bolt, 3/8"-16 x 1" | 4 |
| 34 | 97072 | Swivel Caster | 2 |
| 35 | 97225 | Locknut, 3/8"-16 | 4 |
| 36 | 97073 | Rigid Caster | 2 |
| 37 | 92020 | Fitting, Elbow, 90 Degree | 1 |
| 38 | 92042 | Fitting, Elbow, 45 Degree | 1 |
| 39 | 97472 | End Cap | 2 |
| 40 | 41010 | Guard Material | 1 |
| 41 | 98043 | Calibration Decal | 1 |
| 42 | 97208 | Jam Nut, 1/2"-13 | 6 |
| 43 | 595 | Sight | 1 |
| 44 | 97240 | Cap Screw, 10-32x3/8" | 2 |
| 45 | 92248 | Hose, 3/8" Low Pressure Return 36-1/2" Long | 1 |
| 46 | 41047 | Adjustable Collar and Guard Assembly (includes #40, #42, #43, and #44) | 1 |
| 47 | 92375 | Cylinder 3-1/2" | 1 |
| 48 | 97383 | Lockwasher, 1/2" | 4 |
| 49 | 839 | Vent Cap | 1 |