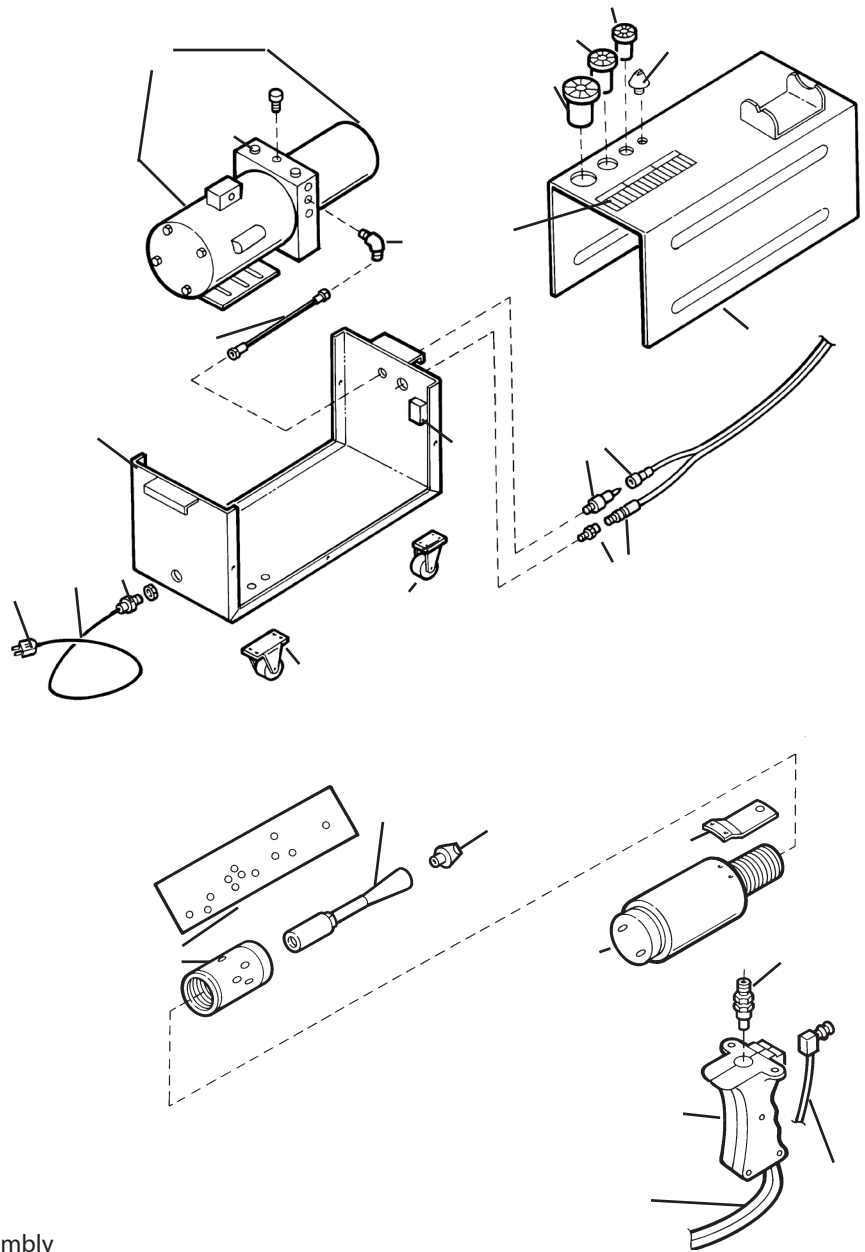


Section VI

Model 1680 Mighty Mate II Replacement Parts

KEY	PART NO.	DESCRIPTION
1.	97001	Housing
2.	97064	Caster Assembly Rigid
3.	97065	Caster Assembly Swivel
4.	95191	Male Plug Power Cord
5.	95192	Cord 10' Max. (sold per ft.)
6.	95197	Electrical Power Cord Grip
7.	95426	Relay
8.		Quick Disconnect Elec. Plug
		Assembly
A.	95393	Receptacle
B.	95394	Plug
C.	95395	Cable Clamp
D.	95396	Pins
E.	95397	Sockets
9.	92364	Quick Disconnect Hydraulic Assembly
10.	92261	Pump to Quick Disconnect Hose
11.	92004	Str. Ftg., 1/2" ML NPT x 3/8" ML JIC
12.	1611	Power Unit
13.	92365	Filter Element
14.	475	Expanding Segment (Black) 2-1/8" - 2-1/2"
15.	474	Expanding Segment (Red) 1-3/4" - 2-1/8"
16.	473	Expanding Segment (Yellow) 1-1/2" - 1-3/4"
17.	498	Arbor Tip Small, 1 1/2" - 1 3/4"
18.	98025	Sizing Decal
19.	92156	Cylinder Body Assembly
	92167	Seal Kit for 92156
20.	595	Selector Position Sight
21.	98024	Calibration Decal
22.	497	Arbor, 1 1/2" - 3 1/2"
23.	499	Arbor Tip (Large 1 3/4" - 3 1/2")
24.	97177	Pistol Grip Handle
25.	95177	Trigger Switch
26.	92296	Hydraulic Hose Assembly



P/N 1681 Hose Assembly

Includes Keys:

8A.	95394	Plug
8B.	95395	Cable Clamp
8C.	95396	Pins
	95398	Wire
9.	92364	Quick Disconnect Hydraulic Assembly
25.	95177	Trigger Switch
26.	92296	Hydraulic Hose Assembly

P/N 1682 Gun-Hose Assembly

Includes Keys:

19.	92156	Cylinder Body Assembly
20.	595	Selector Position Sight
21.	98024	Calibration Decal
24.	97177	Pistol Grip Handle
	1681	Hose Assembly Kit