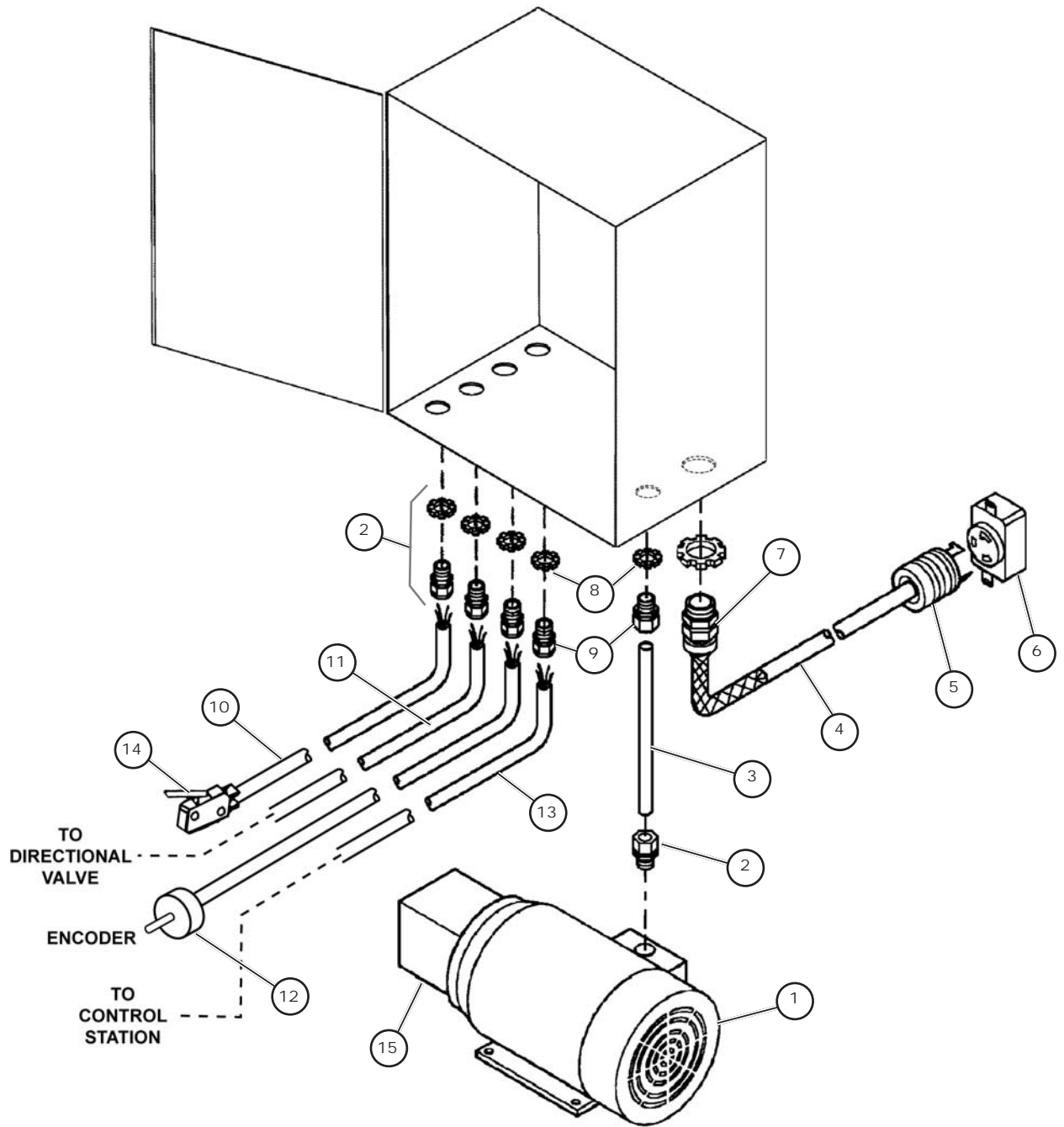


CONTROL BOX WIRING

MODEL 3002



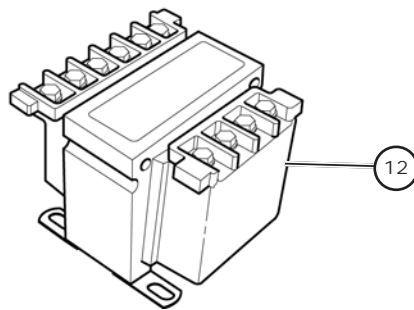
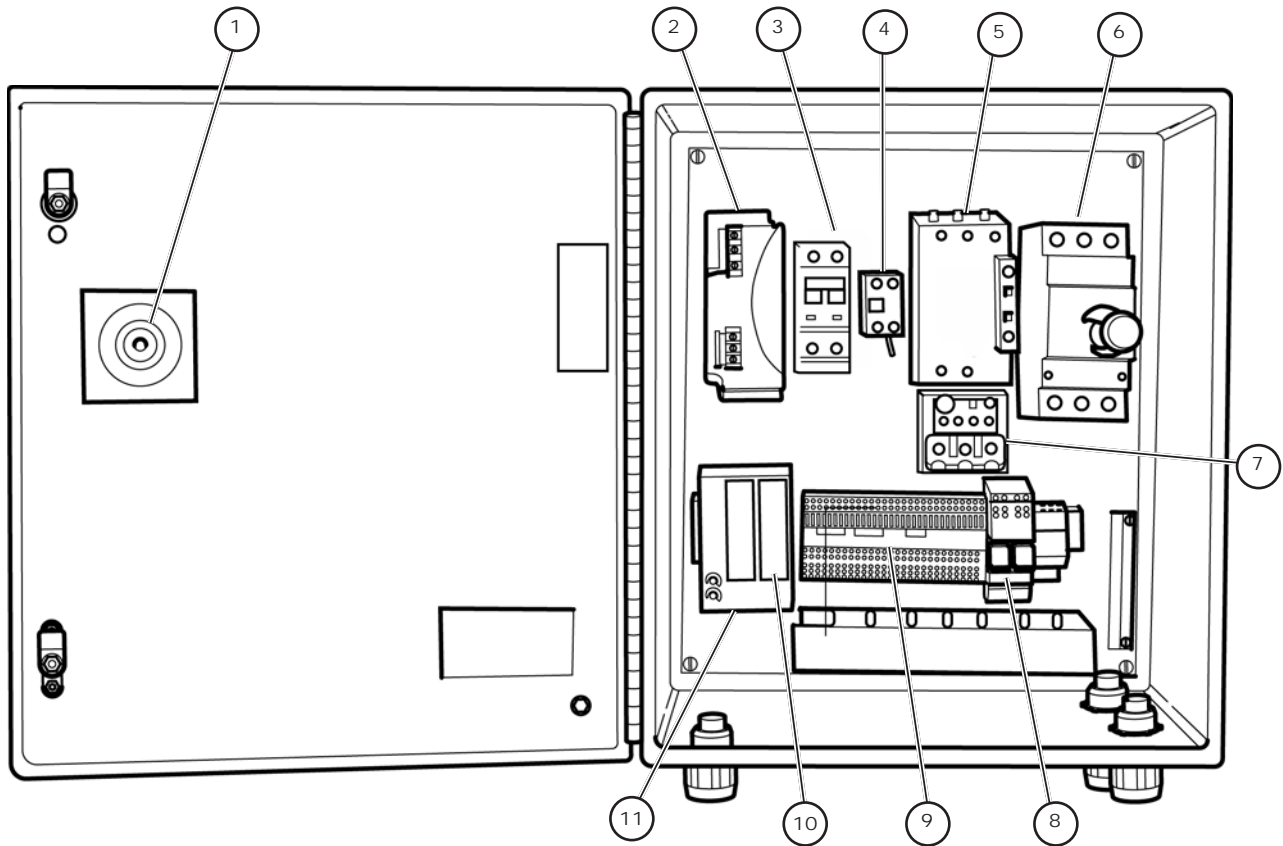
ELECTRICAL COMPONENTS

MODEL 3002

REF.	PART NO.	DESCRIPTION	QUANTITY	REMARKS
1	95067	Motor, 10 HP, Single Phase	1	
	95068	Motor, 10 HP, Three Phase	1	
2	95459	Cord Grip	3	
3	95367	Power Cord, Single Phase, 20 ft.	1	Sold by the Foot
	95371	Power Cord, Three Phase, 20 ft.	1	Sold by the Foot
4	95367	Power Cord, Single Phase, 20 ft.	1	Sold by the Foot
	95371	Power Cord, Three Phase, 20 ft.	1	Sold by the Foot
5	95201	Plug, Single Phase, 230 V	1	
	95214	Plug, Three Phase, 230 V	1	
	95205	Plug, Three Phase, High Volt	1	
6	95200	Receptacle, Single Phase, 230 V	1	
	95215	Receptacle, Three Phase, 230 V	1	
	95204	Receptacle, Three Phase, High Volt	1	
7	95172	Kellum Grip	1	
8	95429	Lock Nut	3	
9	95449	Cord Grip	3	
10	95508	16-3 Cord, 4 ft.	1	Sold by the Inch
11	95364	16-4 Cord, 6 ft. 6 in	1	Sold by the Inch
12	95601	Encoder	1	
13	95602	Multi-Conductor Control Cable, 12 ft.	1	
14	95420	Micro Switch	1	
15	95077	Motor-Pump Adaptor	1	

ELECTRICAL BOX COMPONENTS

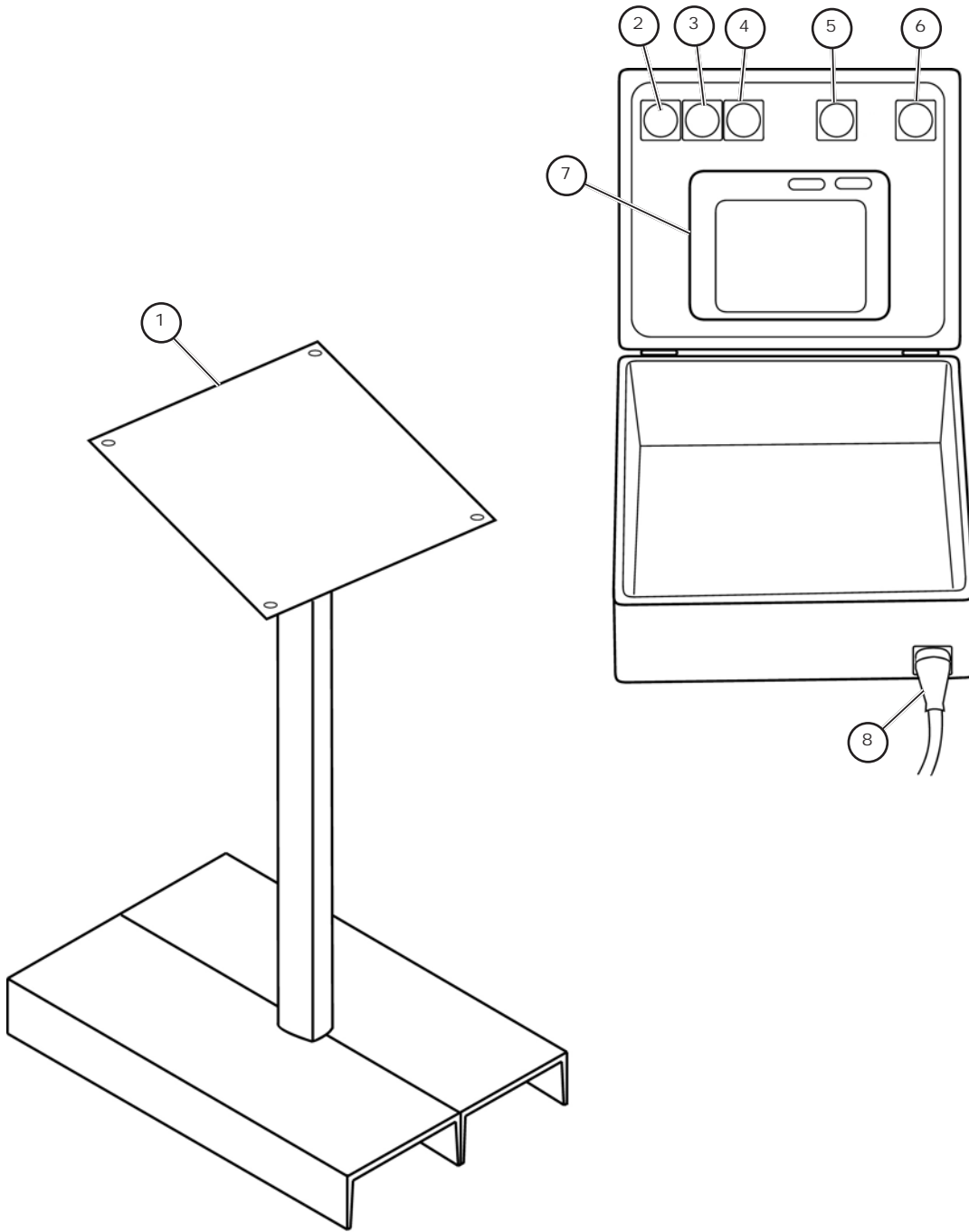
MODEL 3002



ELECTRICAL BOX COMPONENTS**MODEL 3002**

REF.	PART NO.	DESCRIPTION	QUANTITY	REMARKS
1	95603	Handle with Rod Assembly	1	
2	95604	Control Transformer, 24V	1	
3	95605	Supplementary Breaker	1	
4	95609	Auxiliary Contact, Single Phase, 230 V	1	
	95610	Auxiliary Contact, Three Phase, 230 V	1	
	95611	Auxiliary Contact, Three Phase, High Volt	1	
5	95606	Contactor, Single Phase , 230 V	1	
	95607	Contactor, Three Phase , 230 V	1	
	95608	Contactor, Three Phase , High Volt	1	
6	95612	Main Motor Protector, Single Phase	1	
	95613	Main Motor Protector, Three Phase	1	
7	95614	Overload, Single Phase, 230 V	1	
	95615	Overload, Three phase 230 V	1	
	95616	Overload, Three Phase, High Volt	1	
8	95617	Control Relays	1	
9	95618	Three Pole Terminal Block	1	
10	95619	ELC Expansion Module, 3002	1	
11	95620	Electronic Logic Control (ELC) 3002	1	
12	95621	Transformer, High Volt	1	

OPERATING CONTROL STATION
MODEL 3002



OPERATING CONTROL STATION
MODEL 3002

REF.	PART NO.	DESCRIPTION	QUANTITY	REMARKS
1	35502-02	Control Pedestal		1
2	95622	Push Lock Stop Button Assembly		1
3	95623	Start Button Assembly		1
4	95624	Forward Button Assembly		1
5	95625	Reverse Button Assembly		1
6	95626	Auto Bend Button Assembly		1
7	95627	Touch Screen Control		1
8	95628	Multi-Pin Control Connector		1 Plug and Receptacle